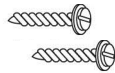


2" & 2 1/2" Cordless Basswood & Fauxwood Blind Installation Instructions

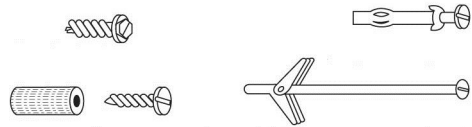
Please follow these Installation Instructions

You will need a pencil, tape measure, drill, screwdriver, pliers, and appropriate fasteners.

Step 1: Choose the Correct Fastener

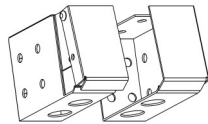


1 1/2" #8 Hex Head Wood Screws (Included)

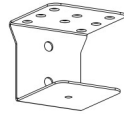


Alternative fasteners should be used for aluminum or concrete installations (Not Included with Blinds)

Step 2: Prepare Brackets



End Box Installation Brackets



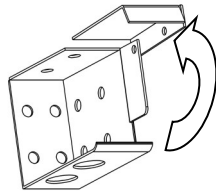
Center Support Bracket

Use the following # of Center Support Installation Brackets based on the Blind Width:

Up to 24"	24 1/2" - 36"	36 1/2" - 60"	Greater than 60"
0	1	2	3

Prepare box brackets for installation:

Open the front of the bracket by pressing on the bottom of the bracket to release the locking tab while lifting the front gate.



Valance Clips Needed

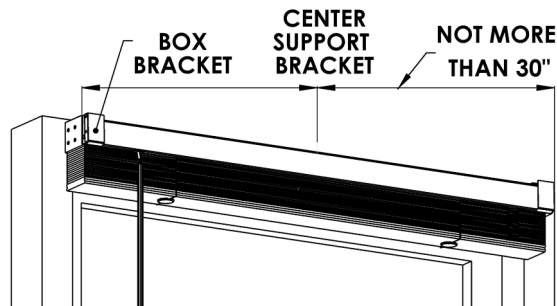
Up to 47.99"	48" - 71.99"	72" - 95.99"	96" - 119.99"	120" +
2	3	4	5	6

For your convenience, extra valance clips are included.

Step 3: Mark the Bracket Locations

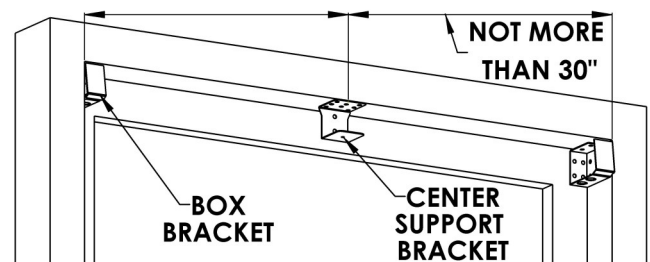
(For Outside Mount Installations)

Position the box brackets at each end of the headrail. When using a single center support bracket, center it between the box brackets. For more than one center support bracket, space the support brackets evenly, not more than 30" apart. Make sure the brackets will not interfere with the cord mechanism or any other internal parts. Mark the bracket for mounting hole locations, making sure they are square and equally spaced. For outside mount installations, use a level to check for levelness.



(For Inside Mount Installations)

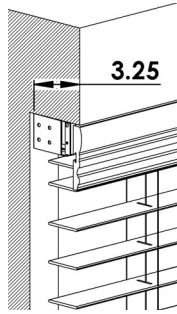
Position the box brackets at each end of the headrail. Depending on the installation location, box brackets can be attached using the top, back, or side holes. When using a single center support bracket, center it between the box brackets. For more than one center support bracket, space the support brackets evenly, not more than 30" apart. Make sure the brackets will not interfere with the cord mechanism or any other parts. Mark the location of the desired bracket mounting holes, making sure that they are square and equally spaced.



2" & 2 1/2" Cordless Basswood & Fauxwood Blind Installation Instructions

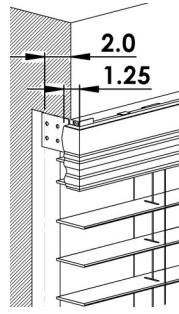
When placing the order indicate depth of the window

Window Depth	Recommended Mount
3.25" or deeper	Flush Inside Mount, No Returns
2" to 3"	Inside Mount with 1 1/4" Returns or Outside Mount with 2 1/4" Returns
1" to 2"	Inside Mount with 2 1/4" Returns or Outside Mount
Less than 1"	Outside Mount Only



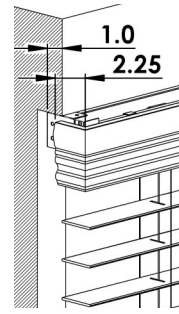
3.25 or bigger window depth

No Return Valance



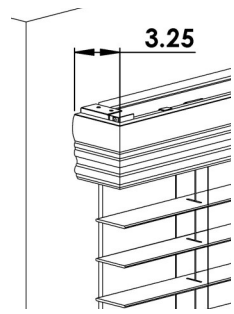
2" or bigger window depth

1 1/4" Return Valance



1" or bigger window depth

2 1/4" Return Valance

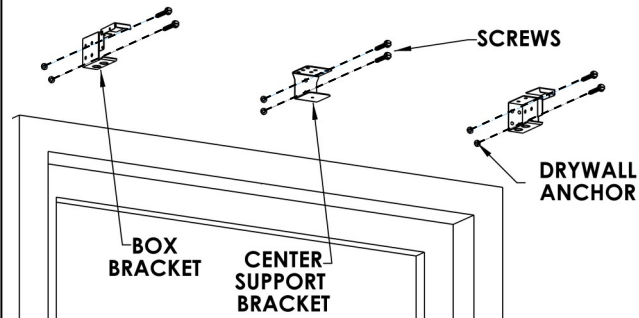


1" or smaller window depth

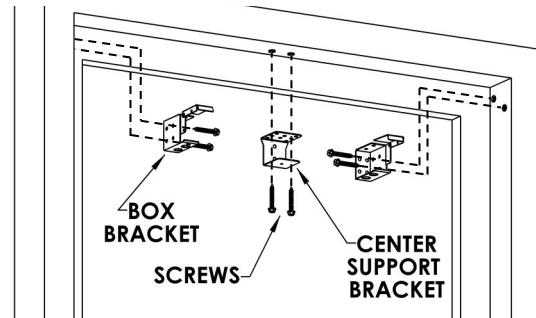
Outside Mount Valance

Step 4: Bracket Installation

(For Outside Mount Installations)
Screw brackets into wall as shown.



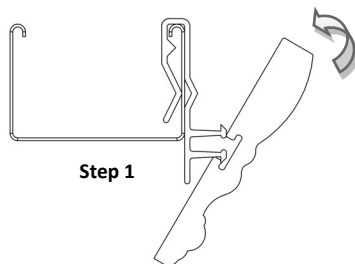
(For Inside Mount Installations)
Screw brackets in window frame as shown.



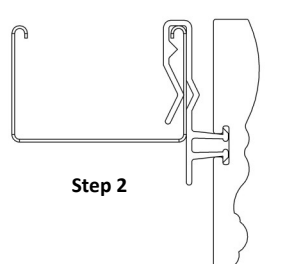
Step 5: Valance Installation

Step 1. Attach the loose plastic Valance Clips to the front of the headrail, one at each end. Space any remaining clips evenly. Press the slot in the Valance against the bottom post of the Valance Clip and rotate it upwards.

Step 2. Push the Valance against the Valance Clip. The two parts should snap together.



Step 1



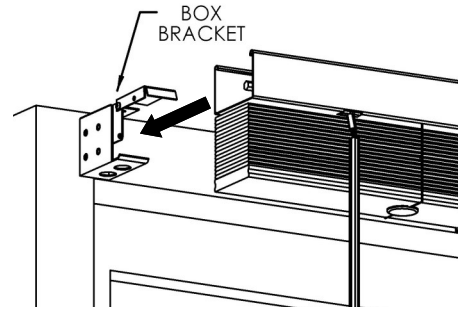
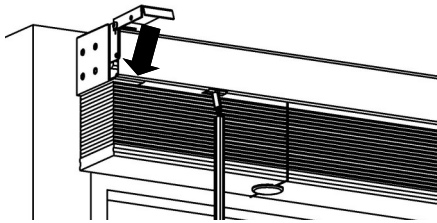
Step 2

2" & 2 1/2" Cordless Basswood & Fauxwood Blind Installation Instructions

Step 6: Blind Installation

Align the headrail with the center support and box brackets. The headrail should have the tilt mechanism facing toward the room. Be careful not to trap the top slat in the brackets and slide the headrail straight back until it is snug in the brackets. If the headrail can slide from side to side in the box brackets, you can use a flat head screwdriver to bend out the tabs on the end of the until it is snug.

Lower the front gate of each box bracket and press until the locking tab clicks into place.



Operating Instructions:

To lower the blind, pull down on the bottom rail gripping it near the middle. When released shade will stay in place at desired height.

To raise the blind, push up on the bottom rail near the center to reach desire height. Once released, shade will stay in place.